



DACRYL<sup>®</sup>

**SPACER AND COVER CAPS:  
PERIPHERAL PROFILES**  
technical drawing E-2

# COLORLESS SPACERS AND SCREW COVERS : DETAILS AND FINISHES



## Dimensions

### • U profiles

for Dacryl® 15 mm thick:

20 × 20 mm / 2 mm thickness

for Dacryl® 18 & 20 mm thick:

25 × 25 mm / 2 mm thickness

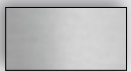
### • Colorless spacers

15 mm length

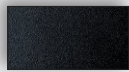
## Specifics

- No bending

## U-profile finish



Anodized  
aluminum



Black RAL  
9005 Epoxy



Grey epoxy  
RAL 7016



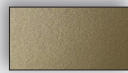
Stainless steel  
Mirror polished



Brushed  
aluminium



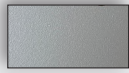
White  
RAL 9010 Epoxy



Steel Bronze  
epoxy



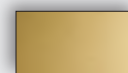
Stainless steel  
Brushed



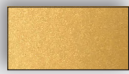
Clear Grey epoxy  
RAL 9006



Anodic Bronze  
epoxy



Brass  
Polished



Gold Pearl  
époxy



Brass  
Brushed



Screw cover, finish: brass



Screw cover, finish: chrome



## Diamètres

• 12 mm : screws  $\varnothing 3.5$  max / screw head  $\varnothing 6$

• 18 mm : screws  $\varnothing 6$  max / screw head  $\varnothing 20$

## Finishes

• chrome  
• brass

## Wall offset

• 15 mm

# SPACERS AND COVER CAPS: PERIPHERAL PROFILES

Technical drawing E-2



## Uses

- Wall fixing

## Bindings

- On a flat surface

## Dimensions

- Lateral U-profiles

for Dacryl® 15 mm thick:

20 × 20 mm / 2 mm thickness

for Dacryl® 18 & 20 mm thick:

25 × 25 mm / 2 mm thickness

## Deliverables

Delivered assembled:

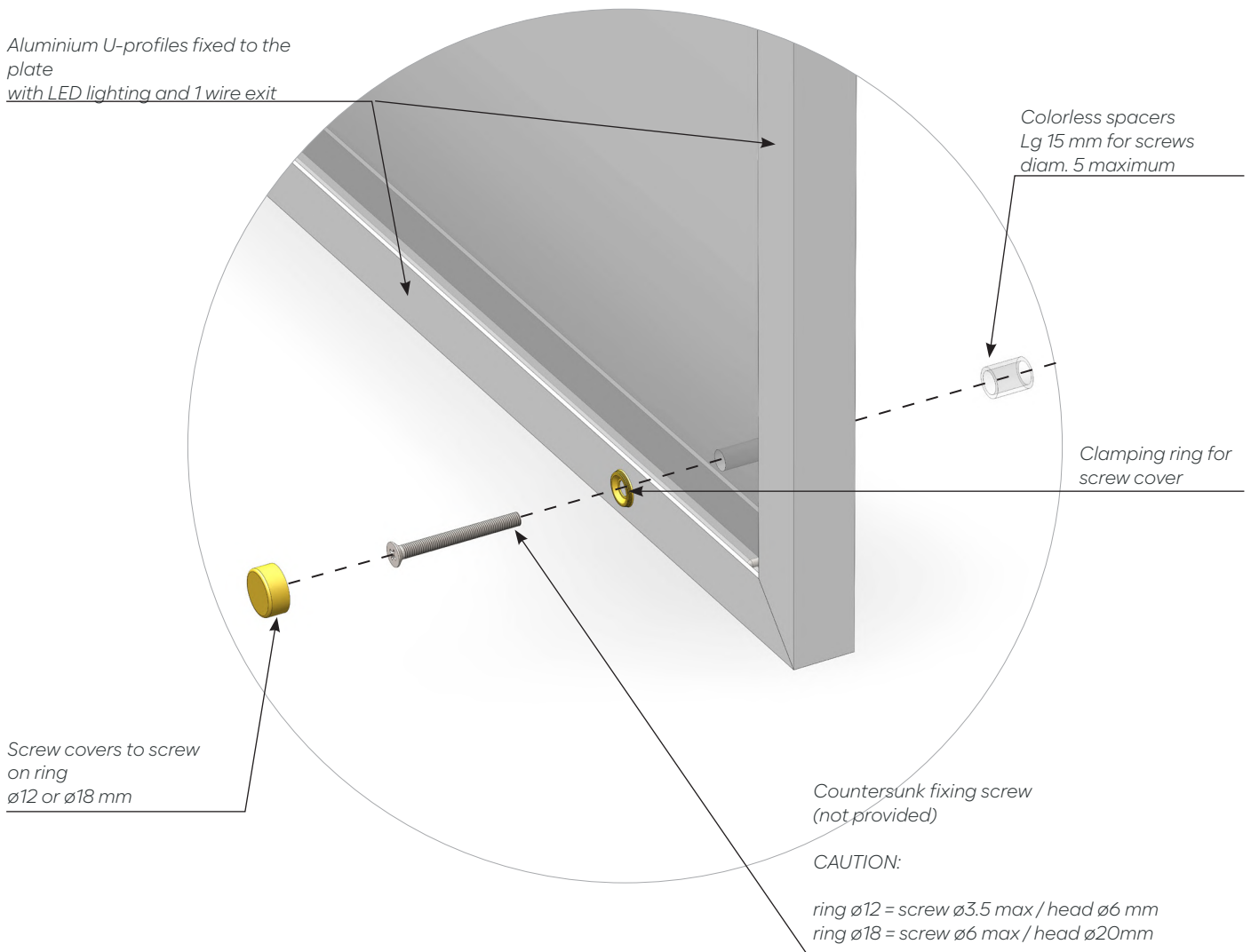
- Dacryl® panels with protections and mounted U-profiles with integrated LED lighting
- Wire output soldered on LED, ready to connect
- Power supply 220 V for 12v/24v LED lighting
- Screw covers and spacers colourless supplied for installation (mounting screws not included)

*Colorless spacers and aluminum screw covers. Anodized aluminum profiles*

# SPACERS AND COVER CAPS: PERIPHERAL PROFILES

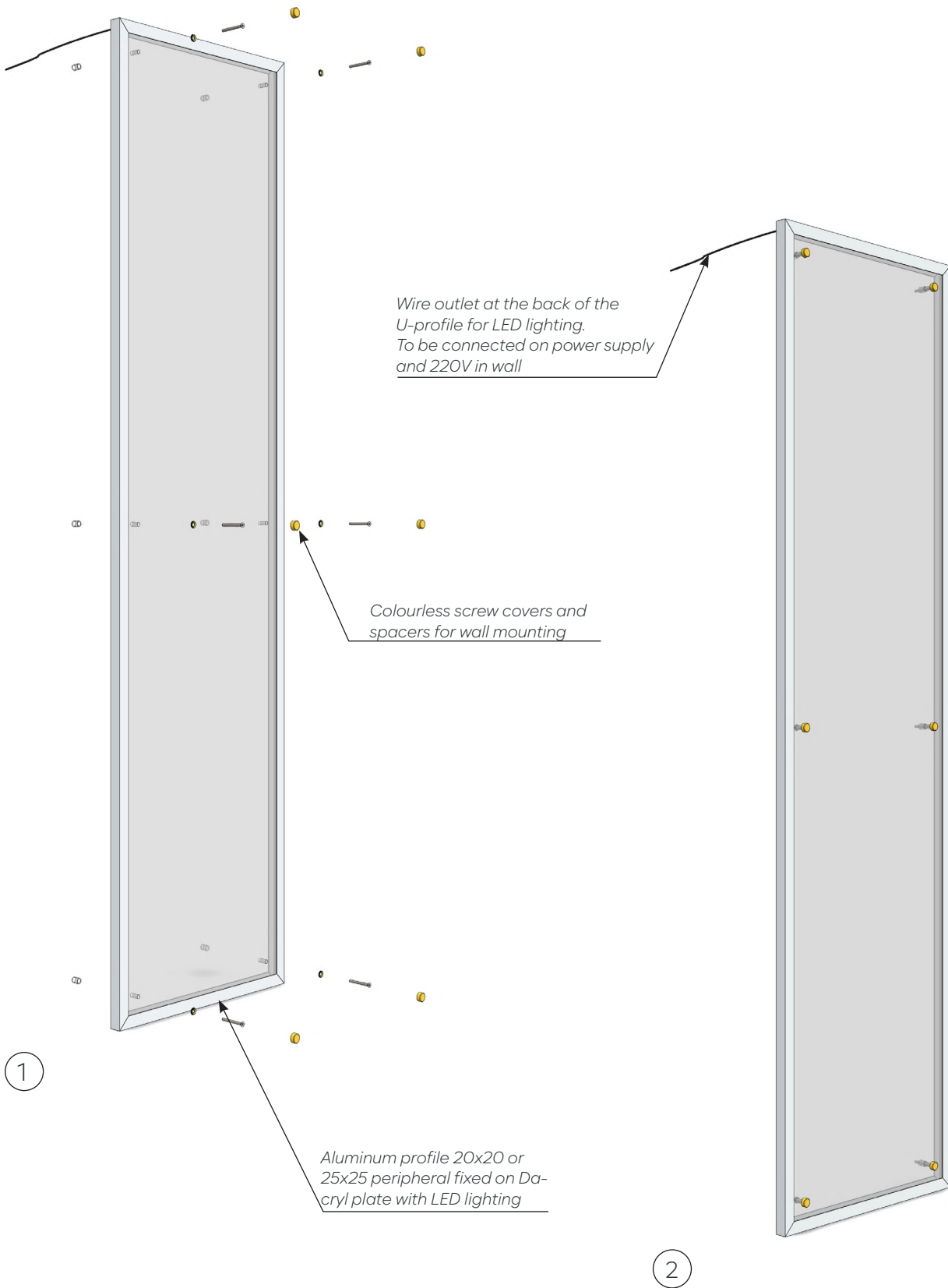
Technical drawing E-2

## Description of deliverables



# SPACERS AND COVER CAPS: PERIPHERAL PROFILES

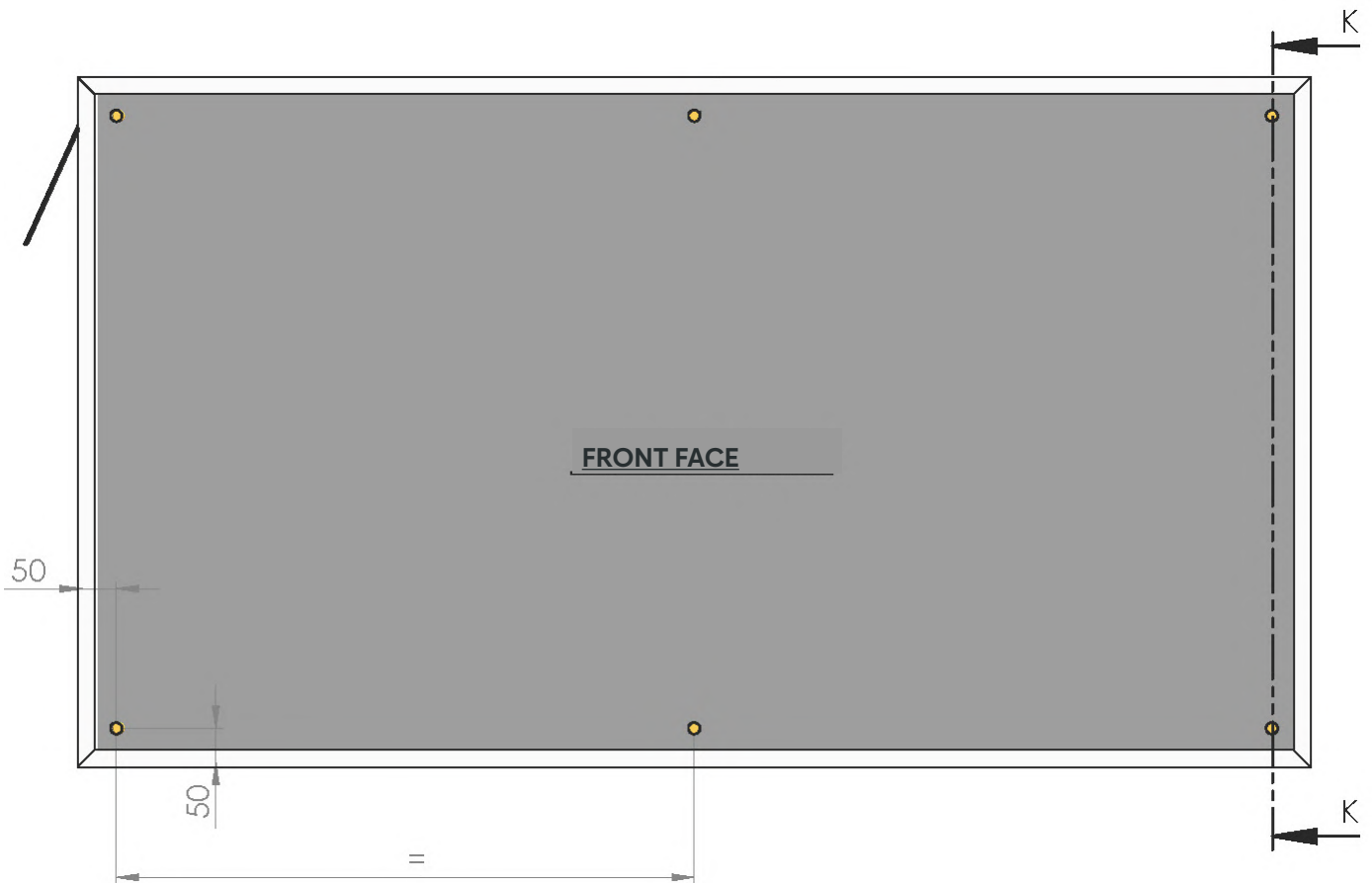
Technical drawing E-2



# SPACERS AND COVER CAPS: PERIPHERAL PROFILES

Technical drawing E-2

## General informations



## Technical plan product description

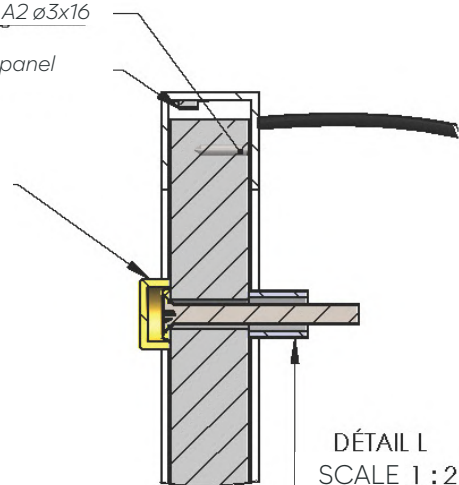
*fixing screw aluminium profile U: TF stainless steel screw A2  $\varnothing 3 \times 16$*

*LED ribbon : positioned on the front of the panel*

*screw covers:*

*2 diameters available :*

*$\varnothing 12$  or  $18$  (for  $\varnothing 3.5$  or  $5$  screws)*



*colorless spacers:*

*-  $\varnothing 10$  mm*

*- lengths 15 mm*

*for  $\varnothing 5$  mm screws*