



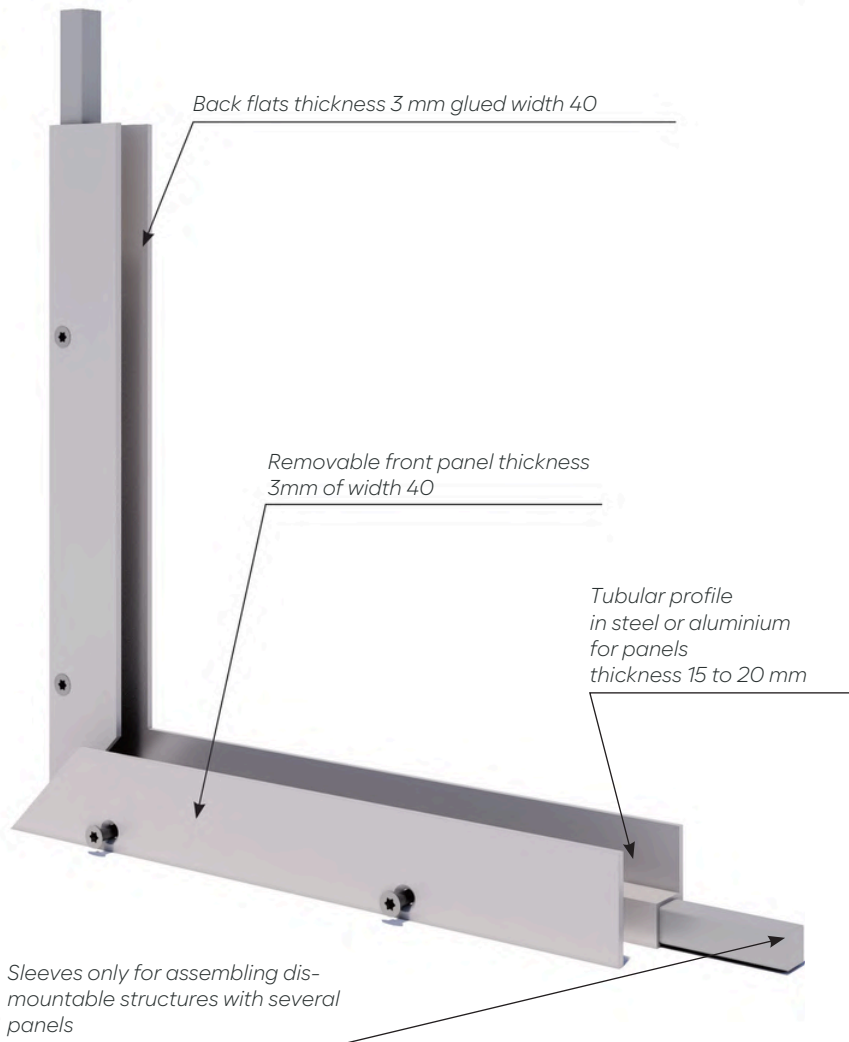
DACRYL[®]

**PIVOT DOOR ARTWORK
OPENING FIXED FRAME**

technical drawing P-1W

PIVOTED DOOR WITH FIXED SASH : DETAILS AND FINISHES

Opening frame



Dimensions

- Square tubular structure in steel
for Dacryl® 15 mm thick:
16 × 16 mm
- Closing dishes
width 40 mm / thickness 3 mm
- Finishing plates
width 20 mm / thickness 2 mm

Frame finishes



Finishing dishes



PIVOT DOOR ARTWORK : OPENING FIXED FRAME

Technical drawing P-1W



*Pivoted door with Artwork opening/sleeping
frame*

Uses

- In impost

Bindings

- Doorframe
- Opening on top and bottom pivot

Option

- Offset pivot
- Dacryl® handle

Dimensions

• Standard doors:
W 830 x H 2040

• Door frame:
tubular 40 x 20
with plate width 40 th. 3 mm

• Closing dishes
width : 40 mm
thickness 3 mm

• Finishing dishes
width : 40 mm
thickness 2 mm

Deliverables

Delivered ready to install:

- Dacryl® panels in pivot-opening frame
- Door frame ready to be fixed
- Wire outlet welded on installed LED, coming out of the pivot
- Remote 220 V power supply for 12v/24v LED lighting
- Full-height handle on frame opening on 1 side

PIVOT DOOR ARTWORK : OPENING FIXED FRAME

Technical drawing P-1W



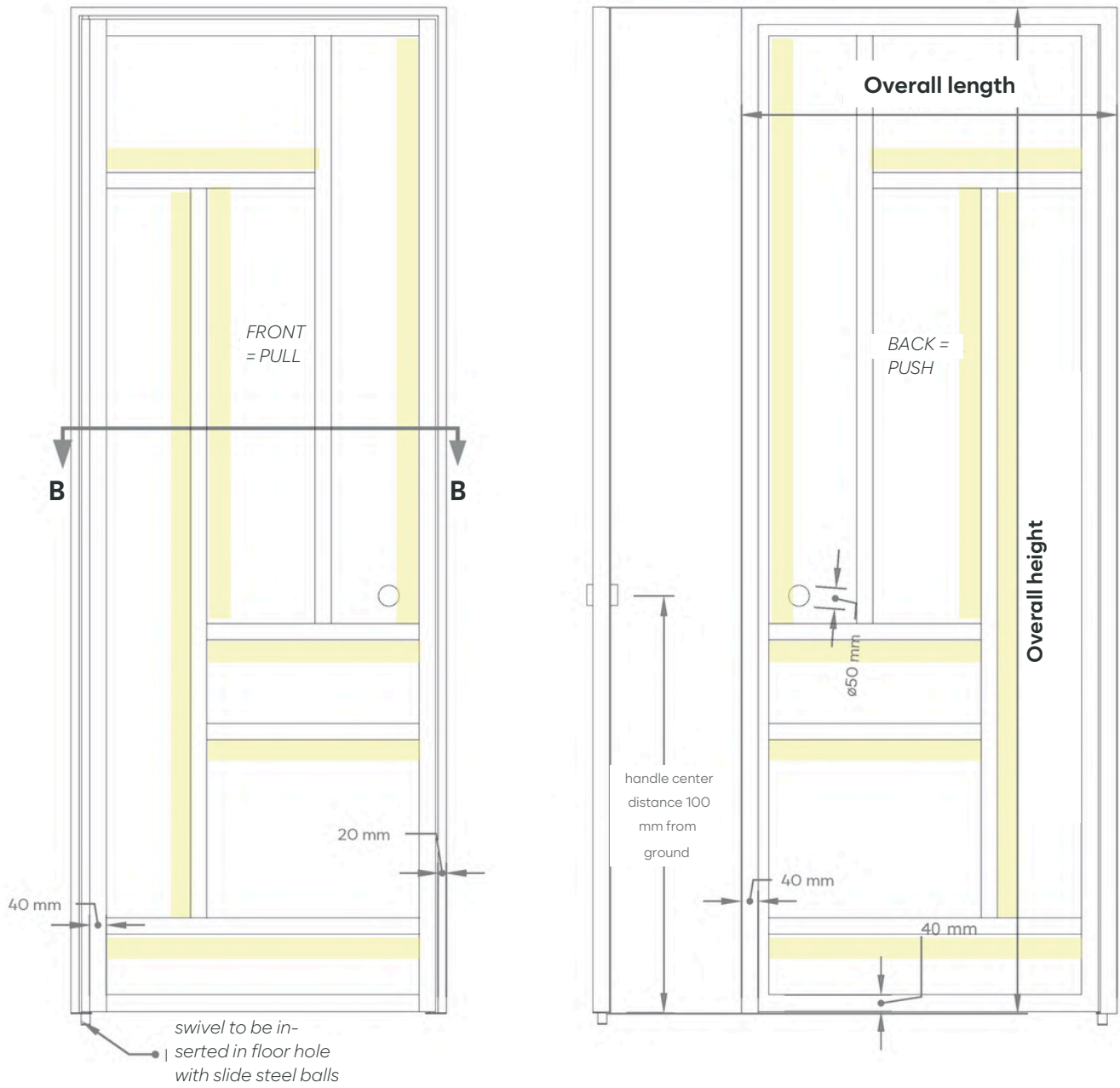
PIVOT DOOR ARTWORK : OPENING FIXED FRAME

Technical drawing P-1W

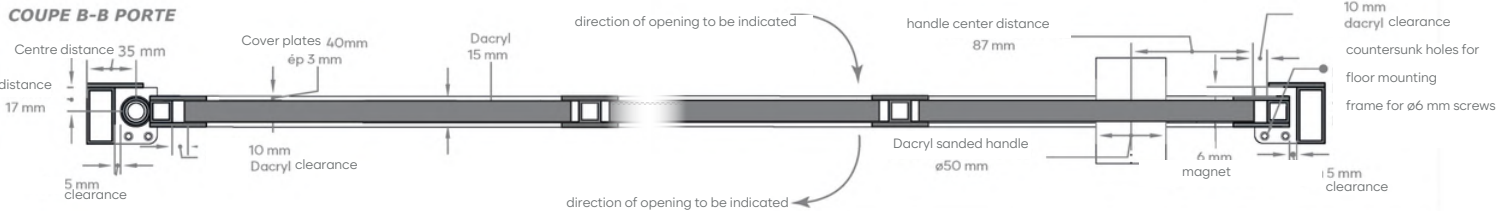
General informations

CHASSIS OUVRANT/DORMANT ARTWORK PORTE SUR PIVOT

 top and bottom led ribbons or peripherals



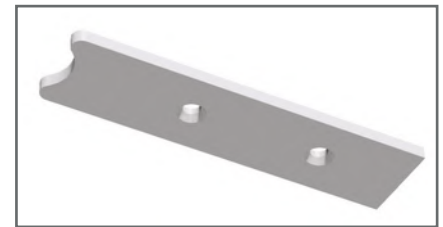
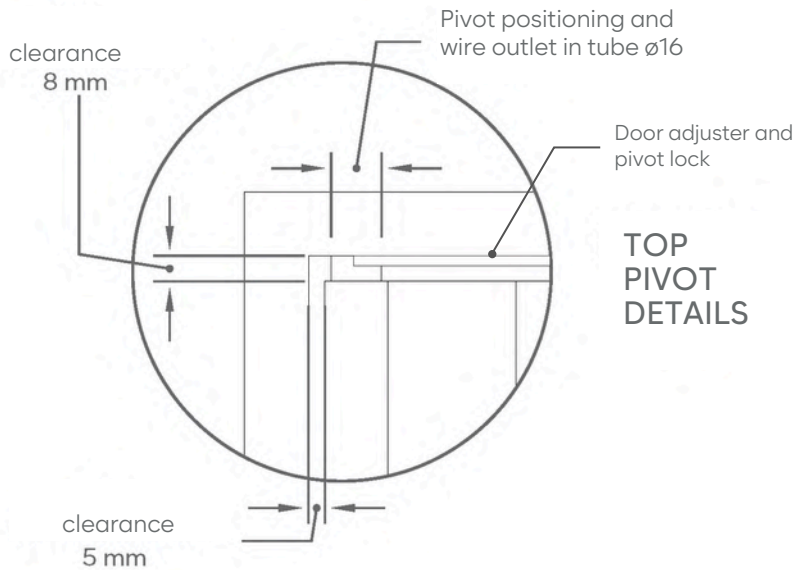
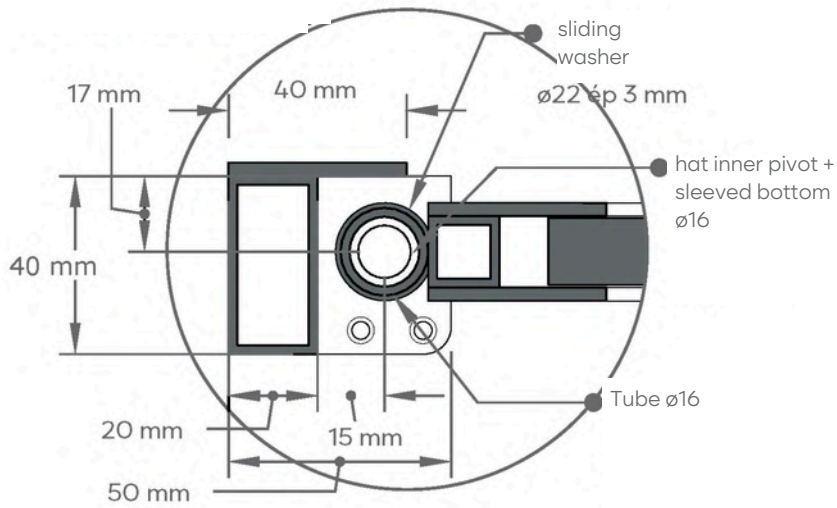
COUPE B-B PORTE



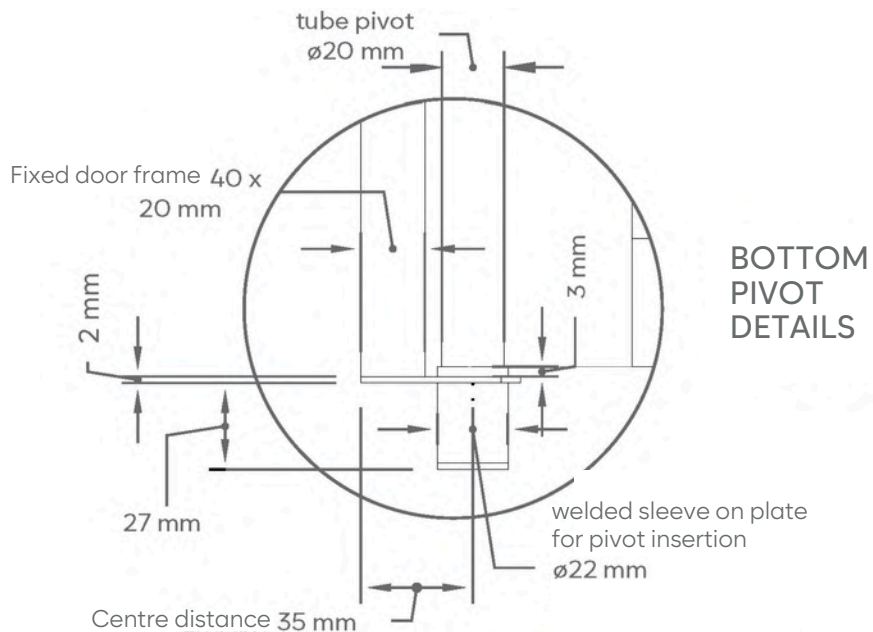
PIVOT DOOR ARTWORK : OPENING FIXED FRAME

Technical drawing P-1W

Technical plan product description



Door adjuster and pivot lock 100 x 20 th. 3 mm



PIVOT DOOR ARTWORK : OPENING FIXED FRAME

Technical drawing P-1W



Dacryl® double door set on pivot with 2 Artwork fixed frames

Only on consultation for study and costing



*Double door on pivot with frame
Artwork frame sash and fixed frame*

*Double door on pivot with frame
Artwork frame sash and fixed frame*