

DACRYL[®]



HANDRAILS

technical drawing MC

HANDRAILS



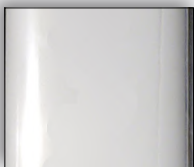
Dacryl® stick

- Diameter: 40 mm
- Lengths: 2000 mm (max. for colorless)

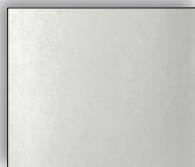
Option

- with inclusions in max. length 1200 mm
- with LED lighting in sleeves fixed on handrail supports

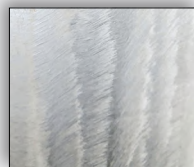
Finishes



transparent



Frosted



Brushed



With inclusions

HANDRAILS

Technical drawing MC



Dacryl® stick

- Diameter: 40 mm
- Lengths: 2000 mm (max. for colorless)

Option

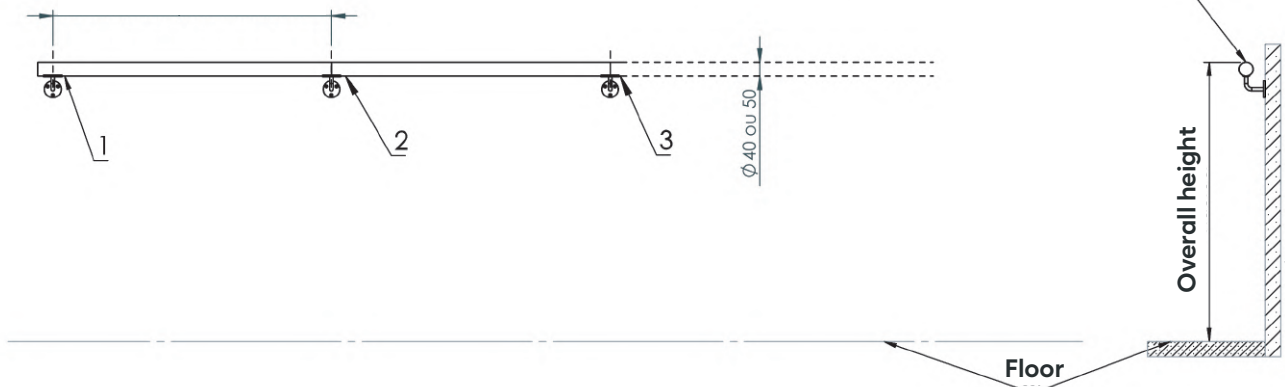
- with inclusions in max. length 1200 mm
- with led lighting in sleeves fixed on handrail supports

General informations

the handrail must be located at a height between 800 and 1000 mm measured vertically of the stair nosings

Otherwise, it must be positioned at 1000 mm from the floor.

2000 mm maximum for colorless or 1200 mm for inclusions



2000 mm maximum for colorless or 1200 mm for inclusions

the handrail must be located at a height between 800 and 1000 mm measured vertically of the stair nosings

Otherwise, it must be positioned at 1000 mm from the floor.

