

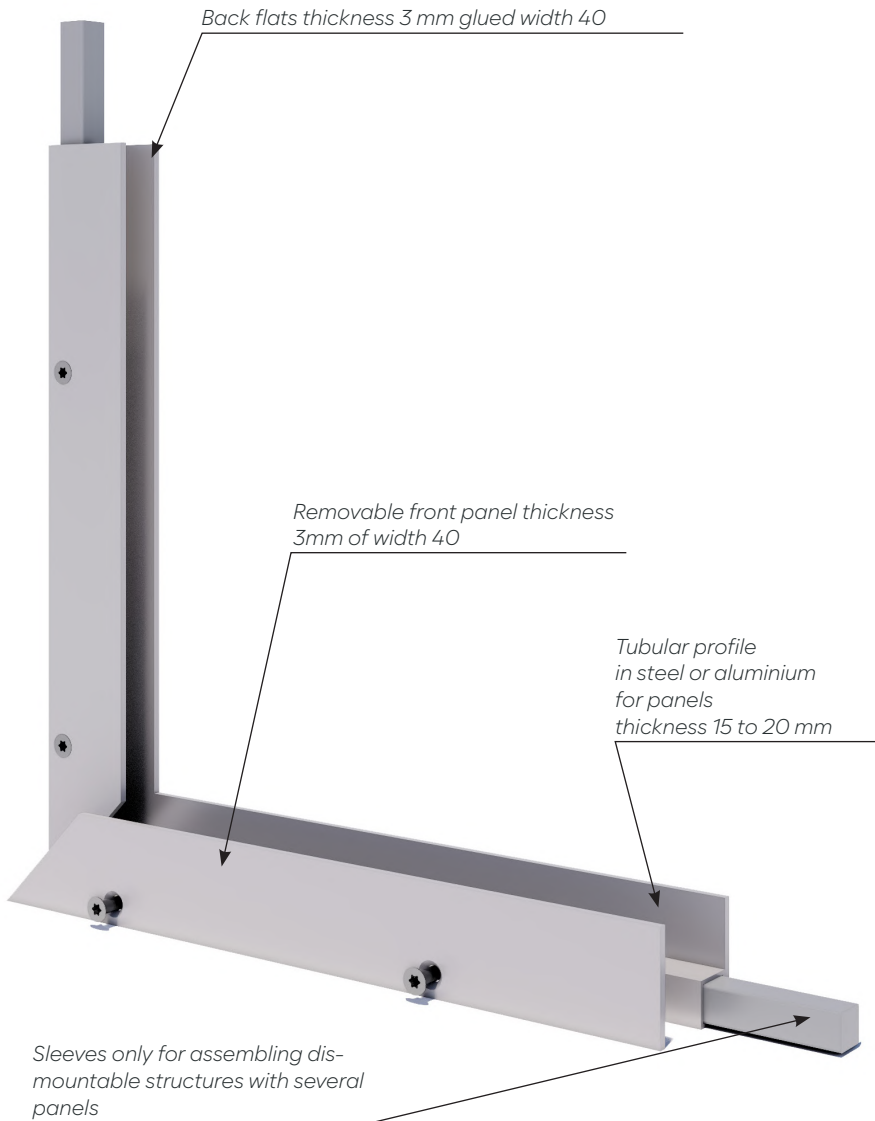
DACRYL[®]



**CURVED TUBULAR FRAME:
SINGLE PANEL**

technical drawing C-B

TUBULAR SYSTEM: DETAILS AND FINISHES



Dimensions

• Square tubular structure in steel

for Dacryl® 15 mm thick:
16 × 16 mm

for Dacryl® th. 18 and 20 mm :
20 × 20 mm

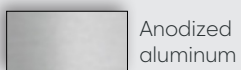
• Square tubular structure aluminium or stainless steel (wet rooms)

20 × 20 mm only

• Closing dishes
width 40 mm / thickness 3 mm

• Finishing plates
width 20 mm / thickness 2 mm

Frame finishes



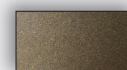
Anodized aluminum



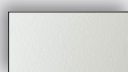
Black RAL 9005 Epoxy



Grey epoxy RAL 7016



Anodic Bronze epoxy



White RAL 9010 Epoxy

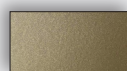


Gold Pearl epoxy

Other finishes on quotations

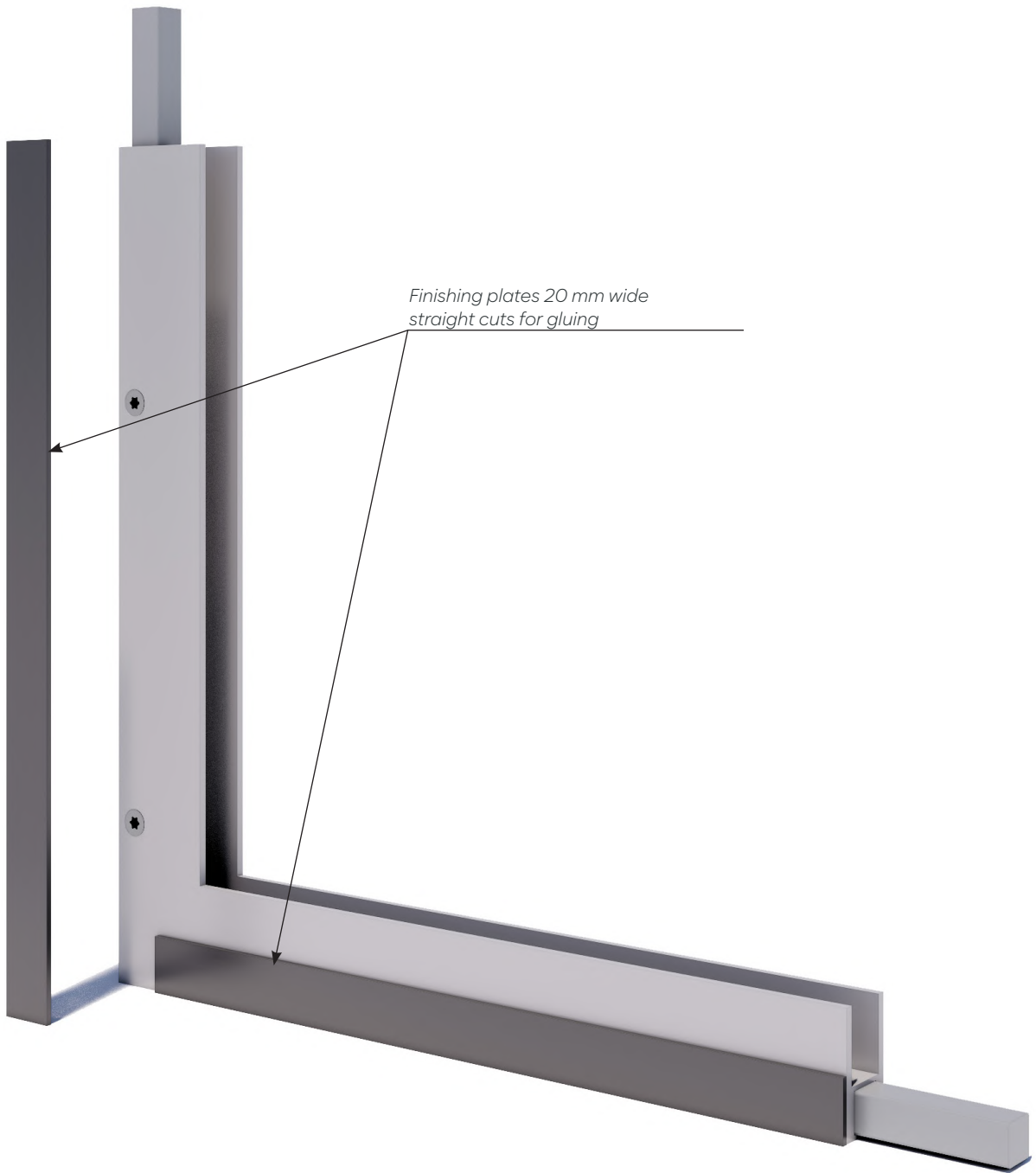


Clear Grey epoxy RAL 9006

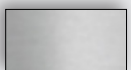


Steel Bronze epoxy

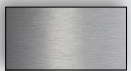
TUBULAR SYSTEM: DETAILS AND FINISHES



Finishing dishes



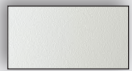
Anodized
aluminum



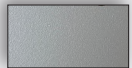
Brushed
aluminium



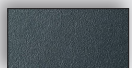
Black RAL
9005 Epoxy



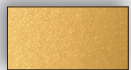
White
RAL 9010 Epoxy



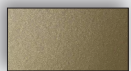
Clear Grey epoxy
RAL 9006



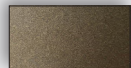
Grey epoxy
RAL 7016



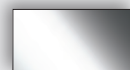
Gold Pearl
époxy



Steel Bronze
epoxy



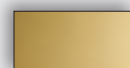
Anodic Bronze
epoxy



Stainless steel
Mirror polished



Stainless steel
Brushed



Brass
Polished



Brass
Brushed

CURVED TUBULAR FRAME: SINGLE PANEL

Technical drawing ref. C-B



Curved tubular frame, finish: grey epoxy

Uses

- Partition wall straight / verse
- Impost
- Wall separation

Bindings

- Floor - ceiling
- Floor - wall

Dimensions

• Square tubular structure in steel

for Dacryl® 15 mm thick:

16 × 16 mm

for Dacryl® th. 18 and 20 mm :

20 × 20 mm

• Square tubular structure aluminium or stainless steel (wet rooms)

20 × 20 mm only

• Closing dishes

width 40 mm / thickness 3 mm

• Finishing plates

width 20 mm / thickness 2 mm

Deliverables

Delivered pre-assembled:

- Dacryl® panel inserted in tubular frame for transport and installation
- LED lighting with welded wire outlet, in roll ready to lay and connect
- Power supply 220 V for 12v/24v LED lighting
- Finishing flats delivered separately, ready to be glued and mechanically fixed for curves (screws supplied)

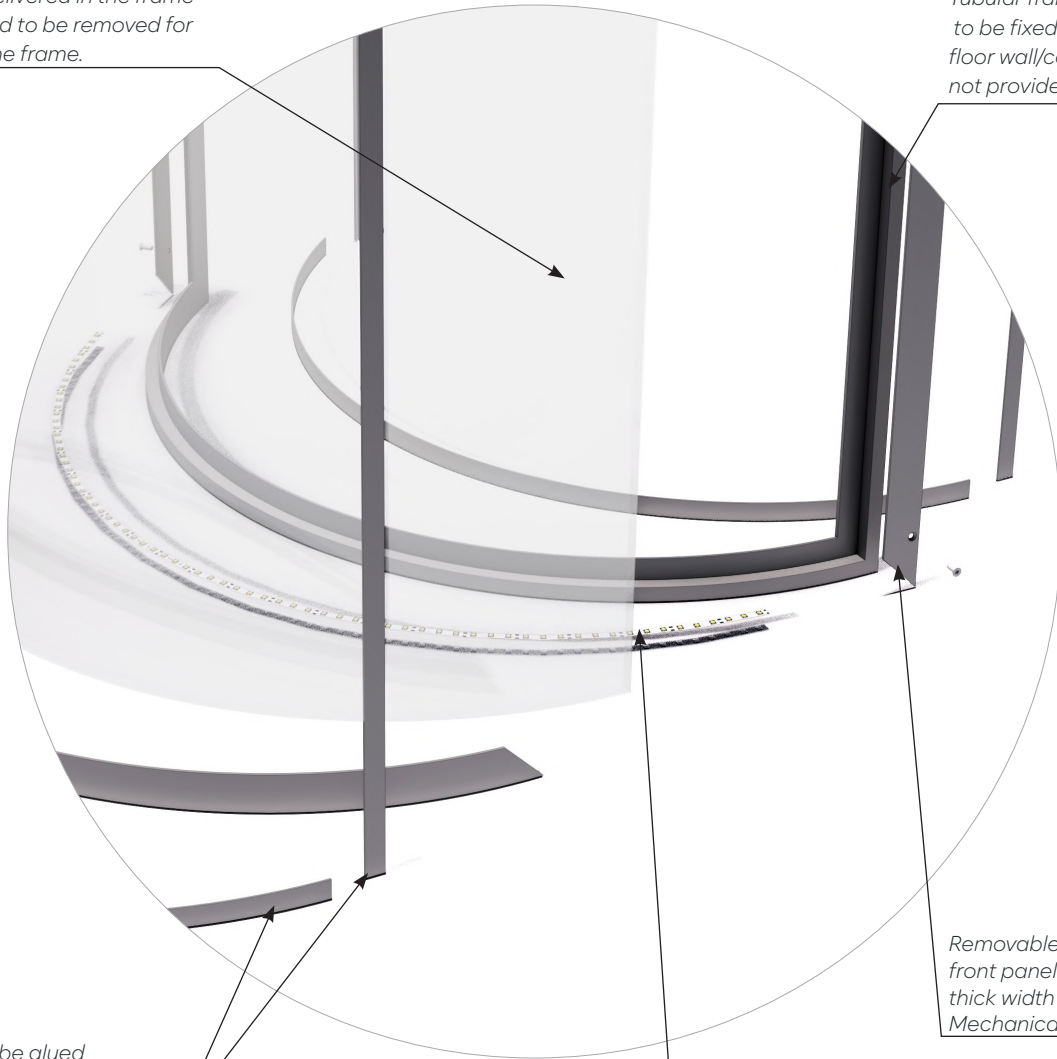
CURVED TUBULAR FRAME: SINGLE PANEL

Technical drawing ref. C-B

Description of deliverables

Dacryl® panel delivered in the frame for transport and to be removed for installation of the frame.

Tubular frame to be fixed mechanically floor wall/ceiling (fixing screws not provided)



Finishing dishes straight cuts to be glued and mechanically fastened for curves (screws supplied)

*Removable dishes front panel 45° cuts 3 mm thick width 40
Mechanical fixing*

Prepared led ribbon lighting with wire exit welded / delivered in rolls ready to install and connect

CURVED TUBULAR FRAME: SINGLE PANEL

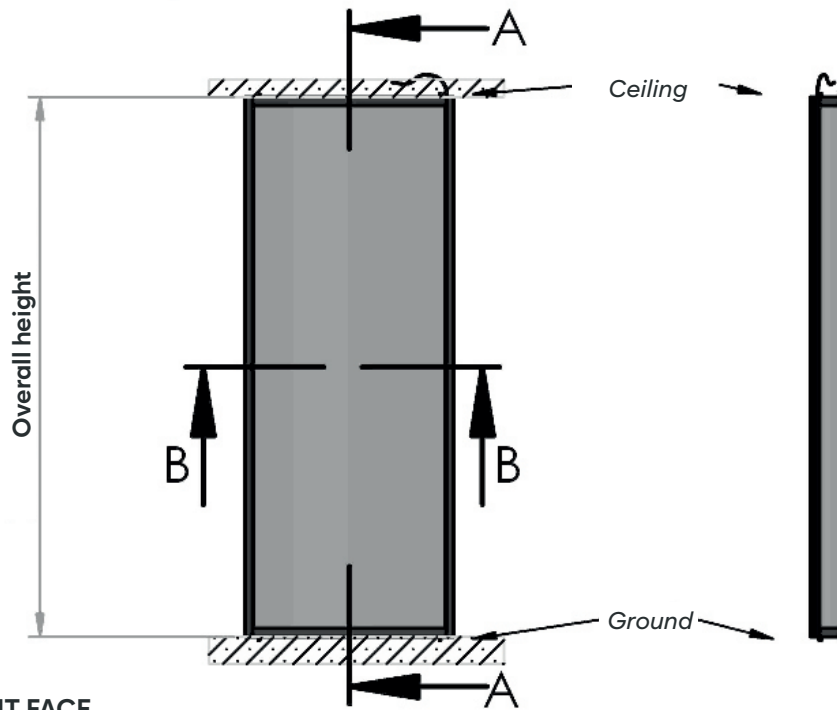
Technical drawing ref. C-B



CURVED TUBULAR FRAME: SINGLE PANEL

Technical drawing ref. C-B

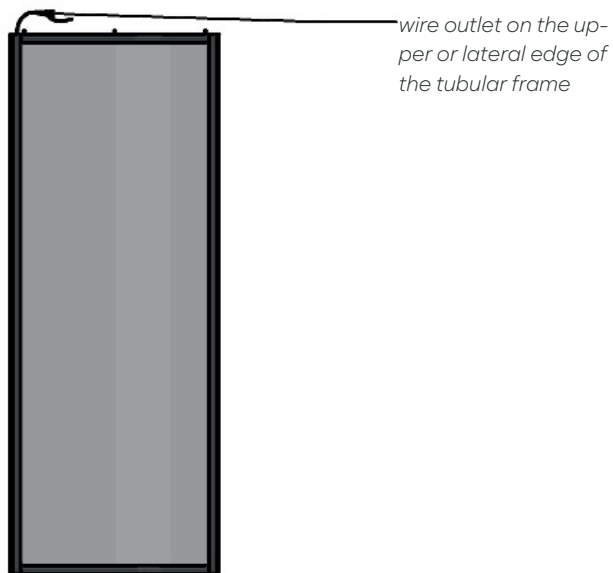
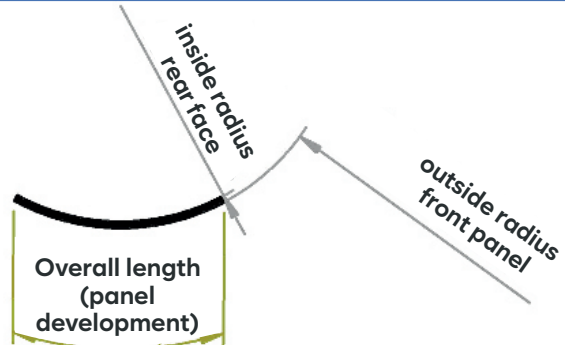
General informations



FRONT FACE

removable part for Dacryl insertion

TOP VIEW



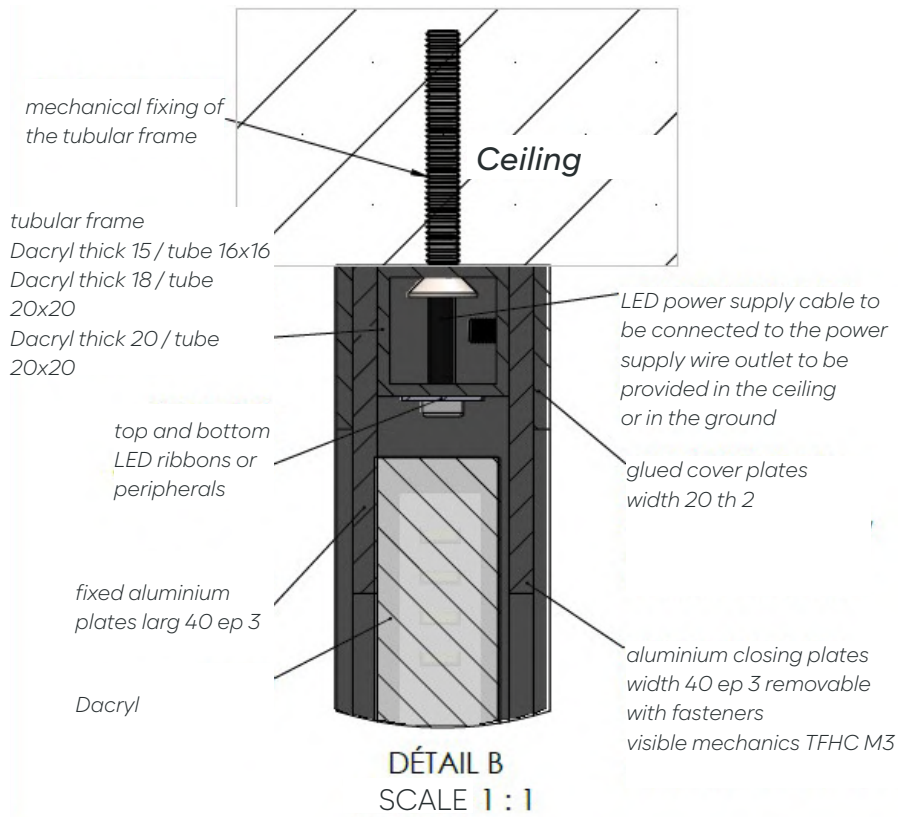
BACKSIDE

Fixed part in tubular frame

CURVED TUBULAR FRAME: SINGLE PANEL

Technical drawing ref. C-B

Technical plan product description



aluminium closing plates width 40 ep 3 removable with fasteners visible mechanics TFHC M3

DÉTAIL C SCALE 1 : 1

