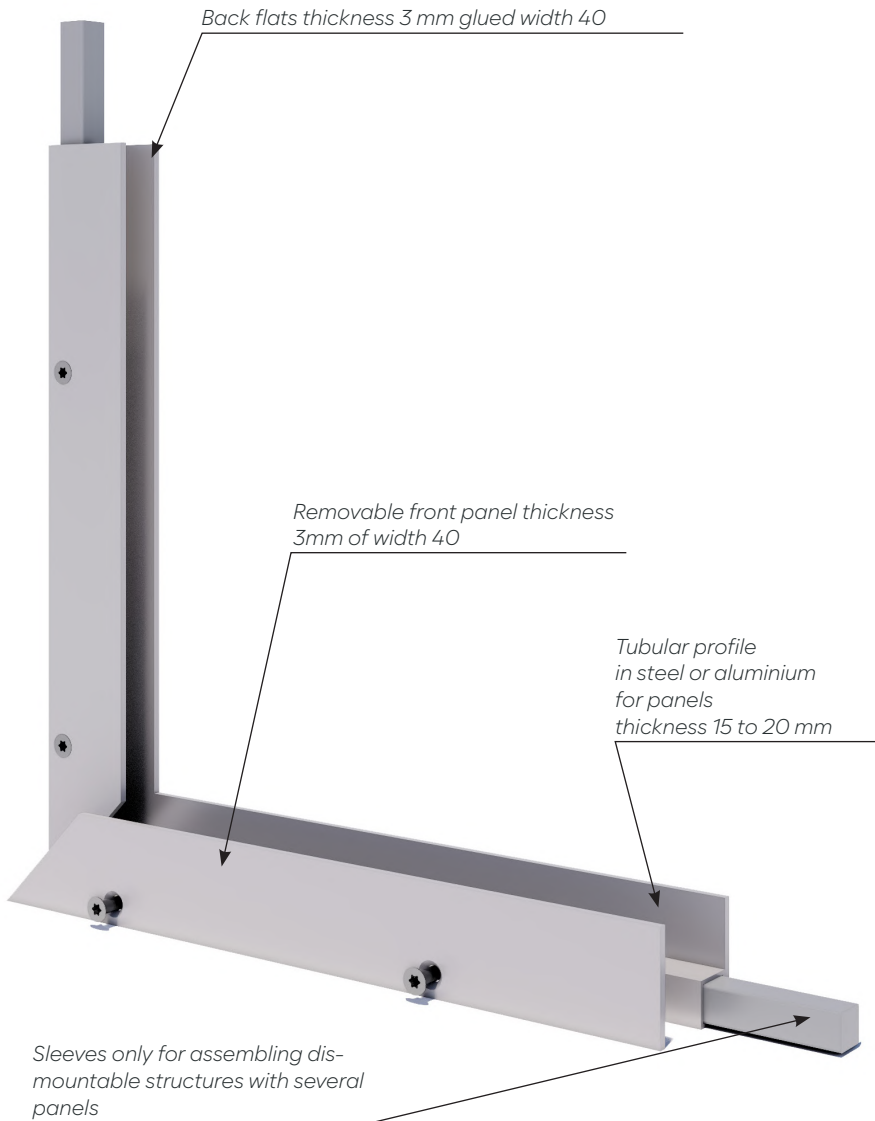


DACRYL®



CURVED TUBULAR FRAME:
MULTIPLE PANELS
technical drawing D-B

TUBULAR SYSTEM: DETAILS AND FINISHES



Dimensions

• Square tubular structure in steel

for Dacryl® 15 mm thick:
16 × 16 mm

for Dacryl® th. 18 and 20 mm :
20 × 20 mm

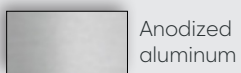
• Square tubular structure aluminium or stainless steel (wet rooms)

20 × 20 mm only

• Closing dishes
width 40 mm / thickness 3 mm

• Finishing plates
width 20 mm / thickness 2 mm

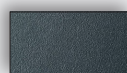
Frame finishes



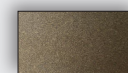
Anodized aluminum



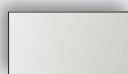
Black RAL 9005 Epoxy



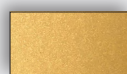
Grey epoxy RAL 7016



Anodic Bronze epoxy



White RAL 9010 Epoxy

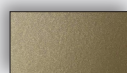


Gold Pearl epoxy

Other finishes on quotations

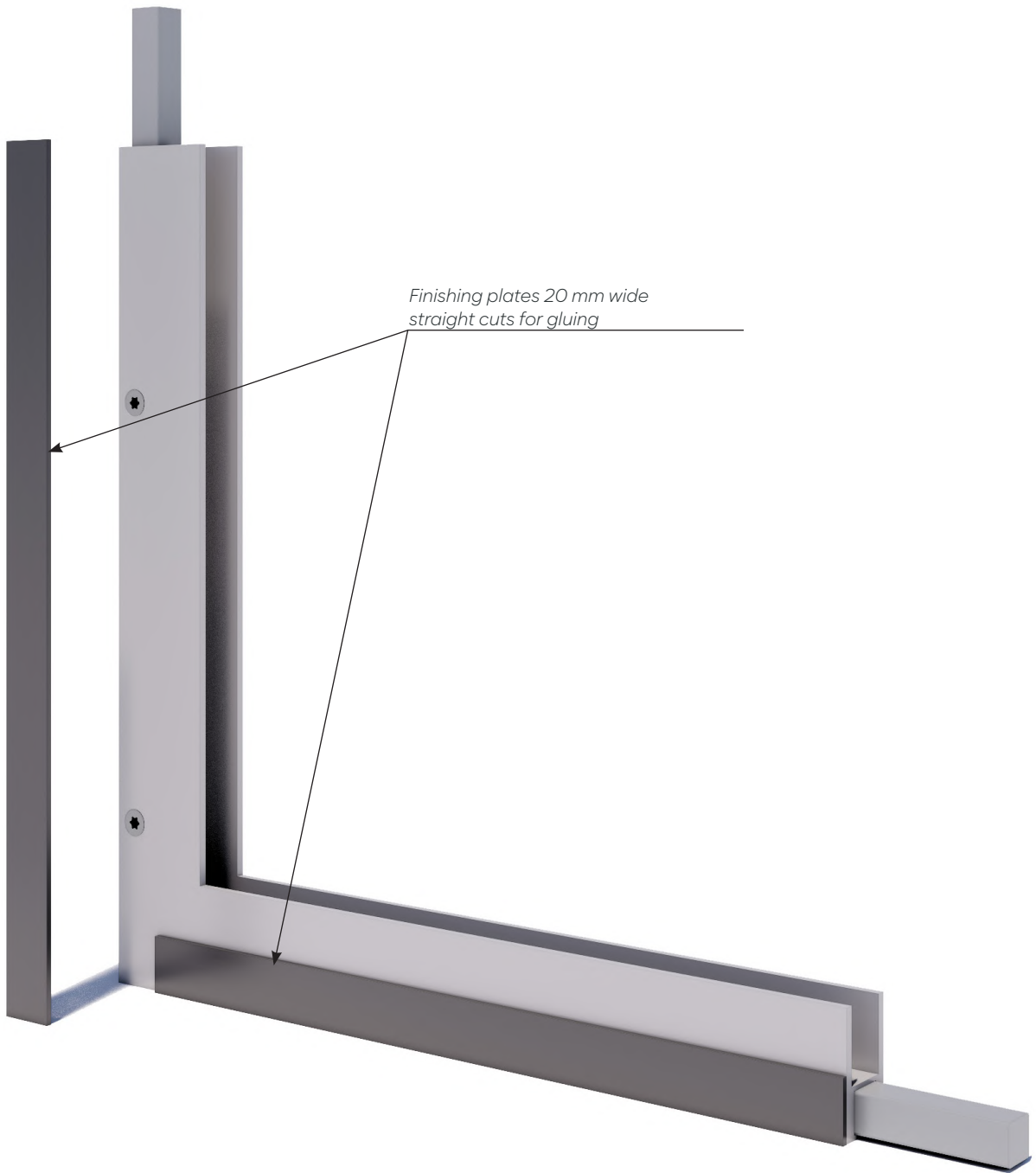


Clear Grey epoxy RAL 9006

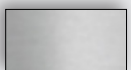


Steel Bronze epoxy

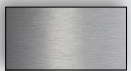
TUBULAR SYSTEM: DETAILS AND FINISHES



Finishing dishes



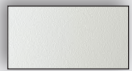
Anodized
aluminum



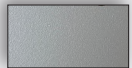
Brushed
aluminium



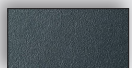
Black RAL
9005 Epoxy



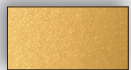
White
RAL 9010 Epoxy



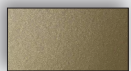
Clear Grey epoxy
RAL 9006



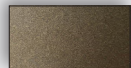
Grey epoxy
RAL 7016



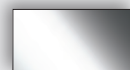
Gold Pearl
époxy



Steel Bronze
epoxy



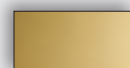
Anodic Bronze
epoxy



Stainless steel
Mirror polished



Stainless steel
Brushed



Brass
Polished



Brass
Brushed

CURVED TUBULAR FRAME: MULTIPLE PANELS

Technical drawing ref. D-B



Curved tubular frame, finish: blue-green epoxy

Uses

- Partition wall straight / verse
- Impost
- Wall mounted

Fixations

- Floor - ceiling
- Floor - wall

Dimensions

- Square tubular structure in steel

for Dacryl® 15 mm thick: 16 × 16 mm

for Dacryl® th. 18 and 20 mm :

20 × 20 mm

- Square tubular structure aluminium or stainless steel (wet rooms)

20 × 20 mm only

- Closing dishes

width 40 mm / thickness 3 mm

- Finishing plates

width 20 mm / thickness 2 mm

Deliverables

Delivered dismantled:

- Dacryl® panels with protections
- Dismantled tubular frame:
2 vertical + 2 horizontal uprights + closing plates (screws supplied)
- LED lighting with welded wire outlet, in roll ready to lay and connect
- Power supply 220 V for 12v LED lighting
- Finishing dishes delivered separately, ready to glue

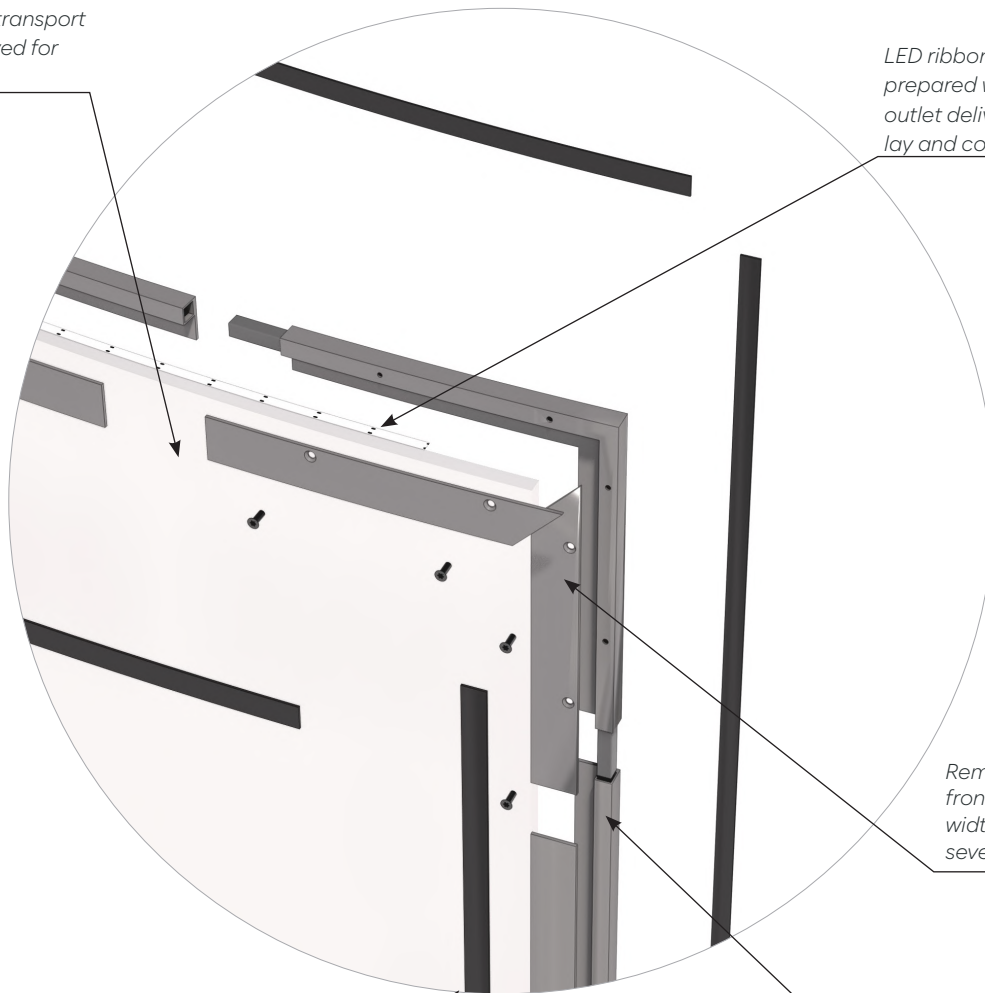
CURVED TUBULAR FRAME: MULTIPLE PANELS

Technical drawing ref. D-B

Description of deliverables

Dacryl® panel delivered in the frame for transport and to be removed for installation.

LED ribbon lighting prepared with welded wire outlet delivered in rolls ready to lay and connect



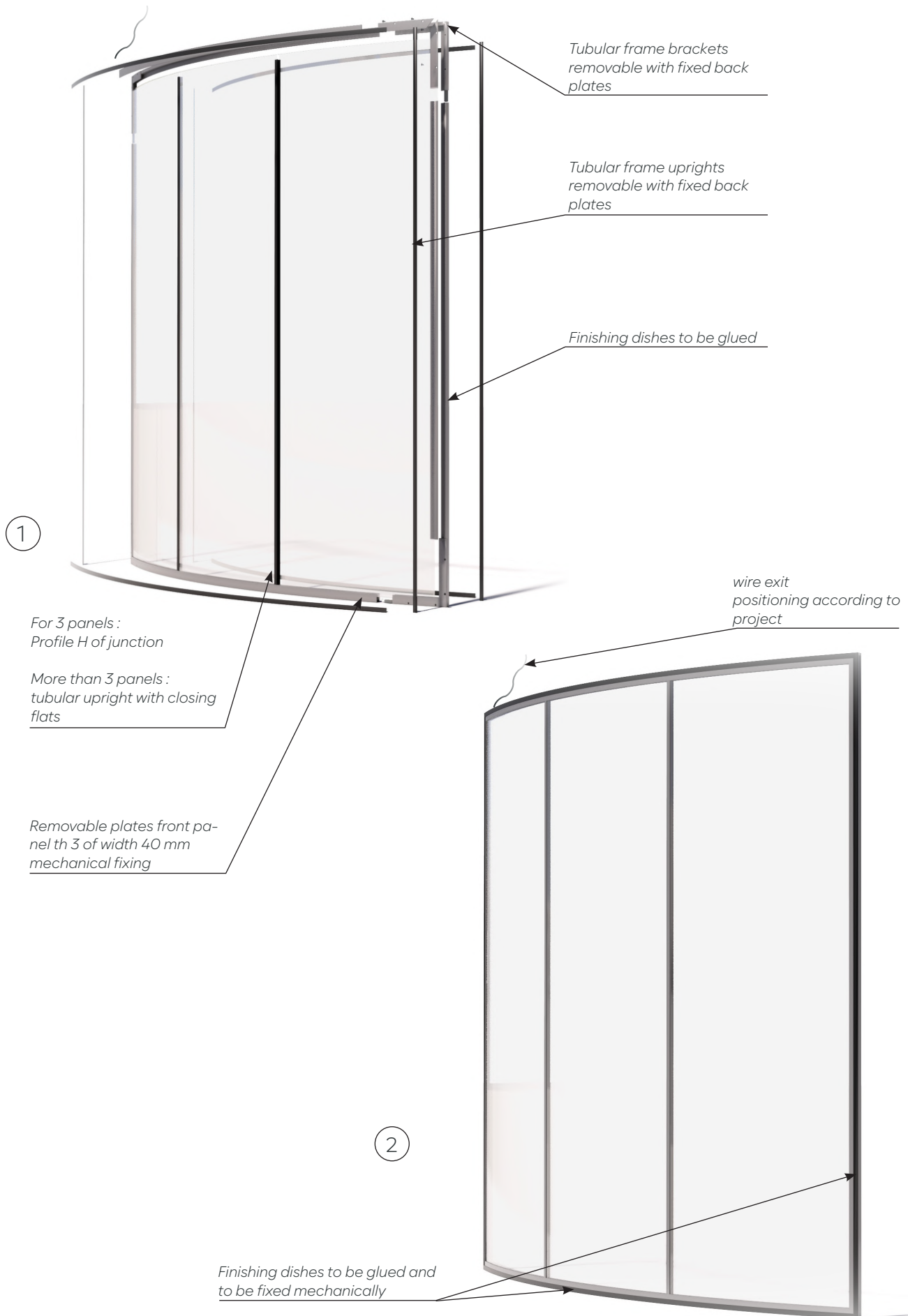
Finishing dishes straight cuts to be glued and mechanically fastened for curves (screws supplied)

Removable dishes front panel 3 mm thick width 40 mm several panels

Tubular frame removable with fixed back plates

CURVED TUBULAR FRAME: MULTIPLE PANELS

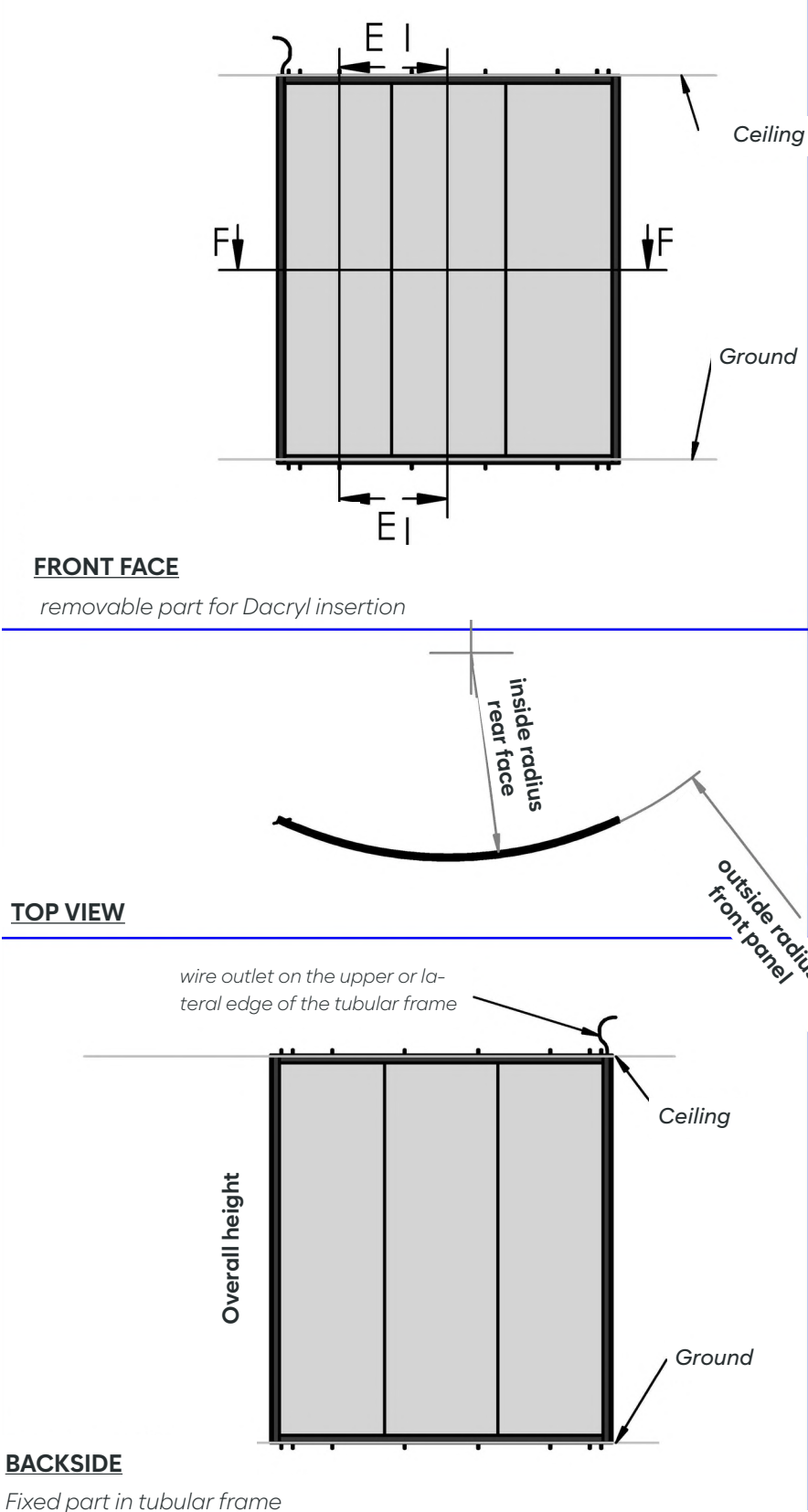
Technical drawing ref. D-B



CURVED TUBULAR FRAME: MULTIPLE PANELS

Technical drawing ref. D-B

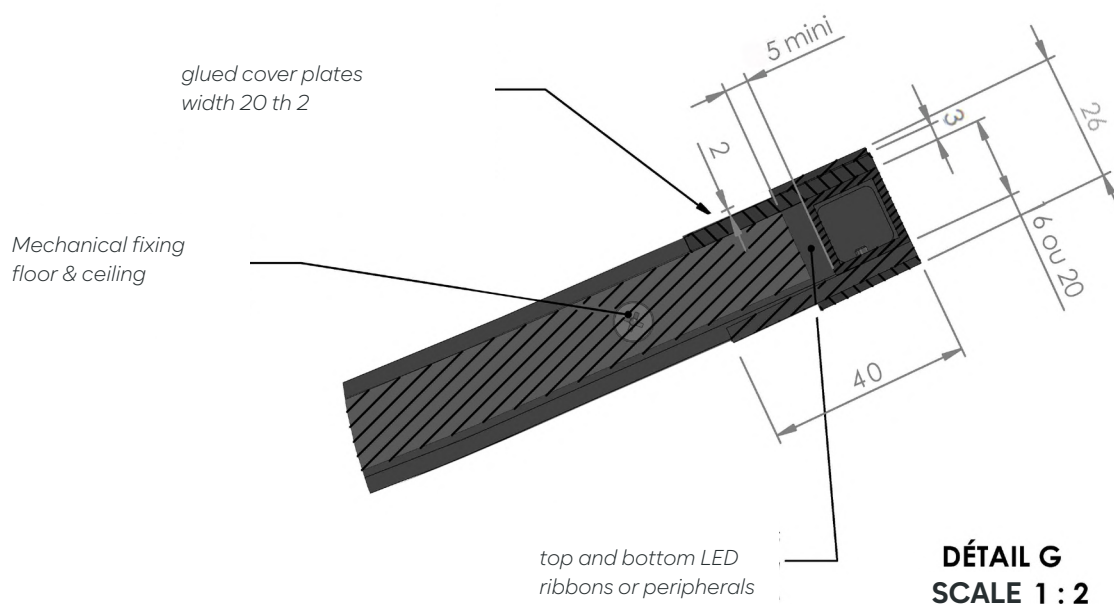
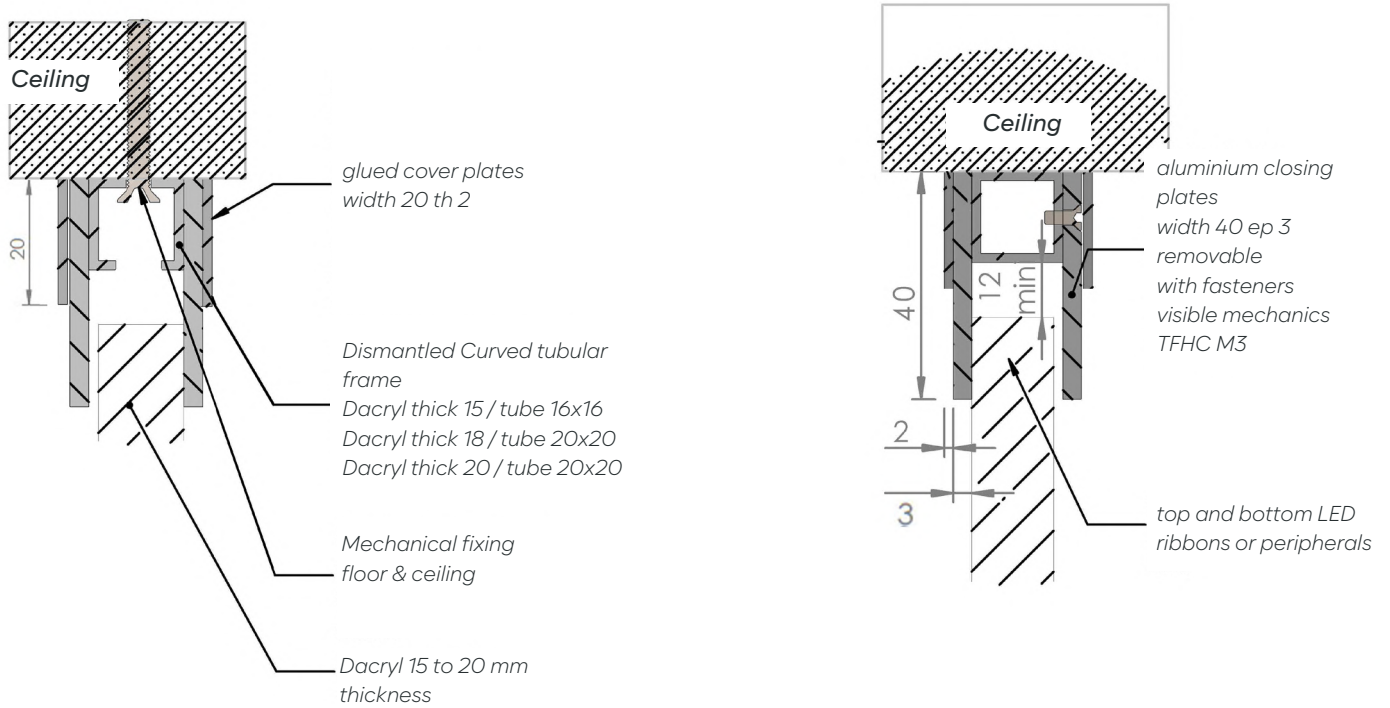
General informations



CURVED TUBULAR FRAME: MULTIPLE PANELS

Technical drawing ref. D-B

Technical plan product description



CURVED TUBULAR FRAME: MULTIPLE PANELS

Straight Dacryl® set composed of more than 3 Dacryl® CURVED panels

Only on consultation for study and costing

